

WIND+

WE MAKE USABLE
THE WIND'S POWER

Bornay 

WIND+

*Total control of the
wind turbine's RPM.
Maximum Power point
tracker controller
obtained thanks
to MPPT.*

With the new Wind+ system, you have total control of the wind turbine revolutions, a control that guarantees perfect functioning of the system. Furthermore, the new model is able to optimize to the maximum the power extracted from the machine, since it supervises all the parameters in order to obtain the point of maximum power at all times.



Bornay

13+

Number of blades	2
Diameter	2,65 m
Material	Fiberglass / carbon
Direction of rotation	Counterclockwise
Control system	1) Electronic regulator 2) Passive because of tilt

Electrical specifications

Alternator	Three phases permanent magnet
Magnets	Neodymium
Nominal power	1000 W
Nominal voltage	220 Vac
RPM	@ 450
Controllers	Regulator MPPT Wind+ Multivoltage: 12, 24, 48 Vdc Intensity: Max. 125 Amp Type of battery: Flooded, AGM, Gel Lithium Interface Wind+ Direct water pumping AC or DC Telecom Grid connection

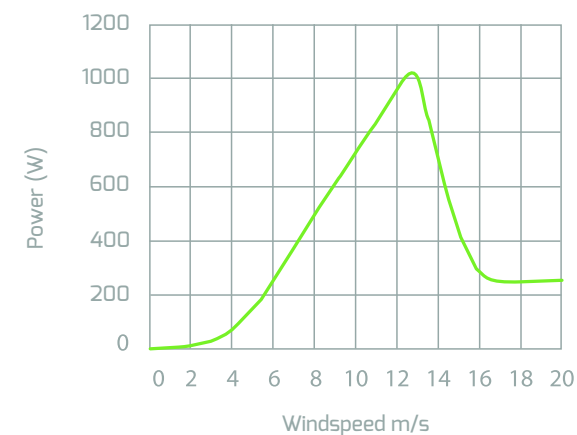
Windspeed

Operating range	2 -30 m/s
For turn on	3 m/s
For nominal power	12 m/s
For automatic braking	14 m/s
Survival	60 m/s

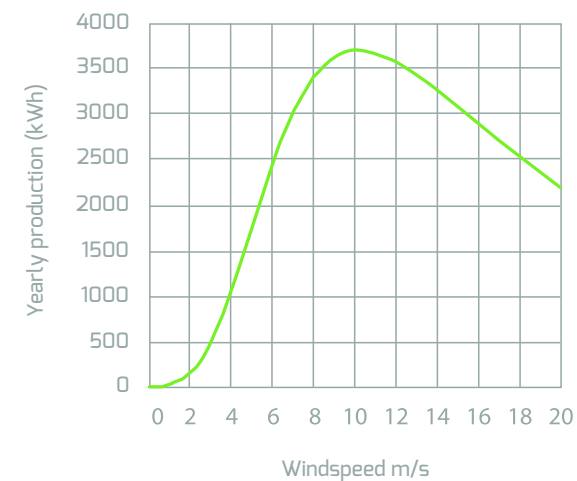
Physical characteristics

Wind turbine weight	41 kg
Regulator weight	30 kg
Packing Dimensions - weight	50 x 77 x 57 cm - 68 Kg 153 x 27 x 7 cm - 7 Kg
Total	0,22 m ³ - 65 Kg
Warranty	3 years

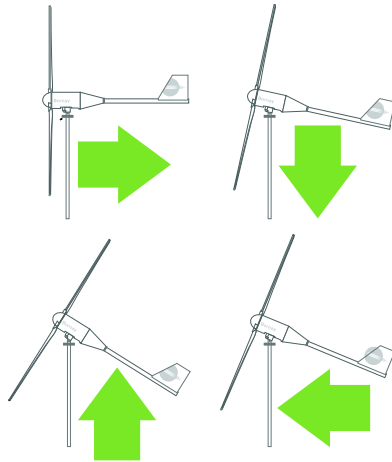
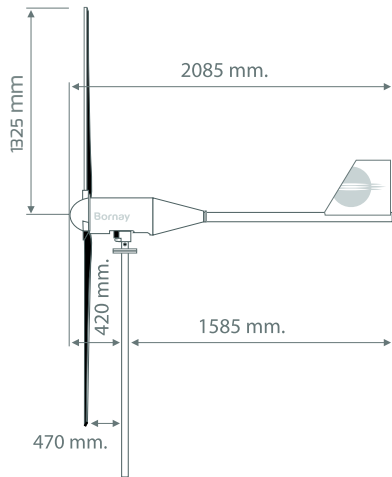
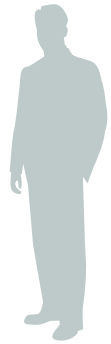
Performance



Energy



Dimensions



25.2+

Number of blades	2
Diameter	4 m
Material	Fiberglass / carbon
Direction of rotation	Counterclockwise
Control system	1) Electronic regulator 2) Passive because of tilt

Electrical specifications

Alternator	Three phases permanent magnet
Magnets	Neodymium
Nominal power	3000 W
Nominal voltage	220 Vac
RPM	@ 400
Controllers	Regulator MPPT Wind+ Multivoltage: 12, 24, 48 Vdc Intensity: Max. 125 Amp Type of battery: Flooded, AGM, Gel Lithium Interface Wind+ Direct water pumping AC or DC Telecom Grid connection

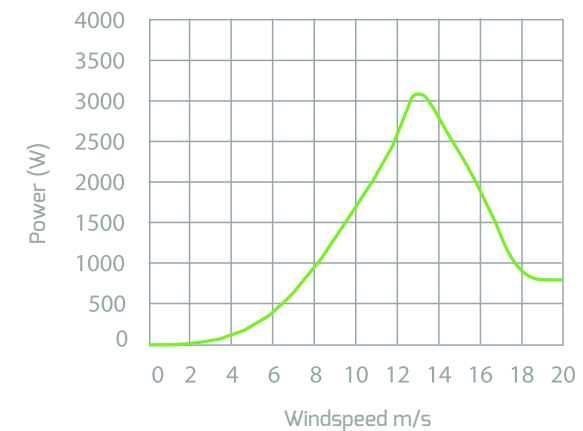
Wind speed

Operating range	2 -30 m/s
For turn on	3 m/s
For nominal power	12 m/s
For automatic braking	14 m/s
Survival	60 m/s

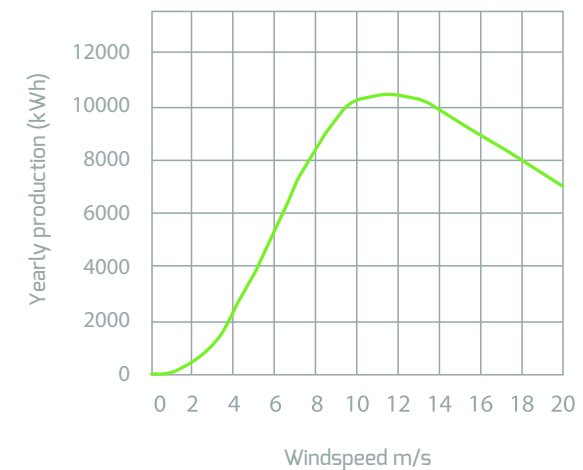
Physical characteristics

Wind turbine weight	93 kg
Regulator weight	30 kg
Packing Dimensions - weight	120 x 80 x 80 cm - 150 Kg 220 x 40 x 15 cm - 19 Kg
Total	0,90 m ³ - 169 Kg
Warranty	3 years

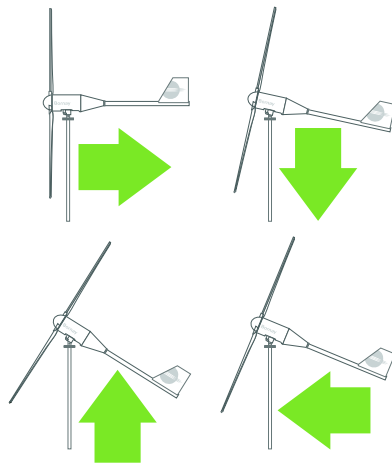
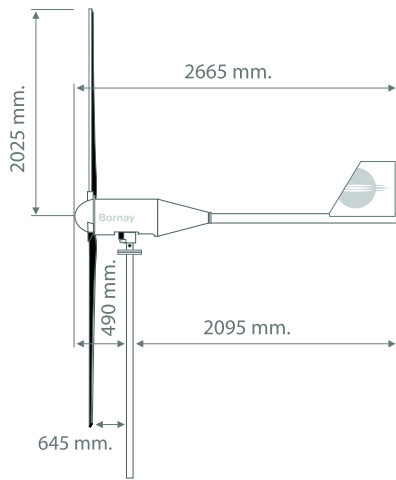
Performance



Energy



Dimensions



25.3+

Number of blades	3
Diameter	4 m
Material	Fiberglass / carbon
Direction of rotation	Counterclockwise
Control system	1) Electronic regulator 2) Passive because of tilt

Electrical specifications

Alternator	Three phases permanent magnet
Magnets	Neodymium
Nominal power	5000 W
Nominal voltage	220 Vac
RPM	@ 400
Controllers	Regulator MPPT Wind+ Multivoltage: 12, 24, 48 Vdc Intensity: Max. 125 Amp Type of battery: Flooded, AGM, Gel Lithium Interface Wind+ Direct water pumping AC or DC Telecom Grid connection

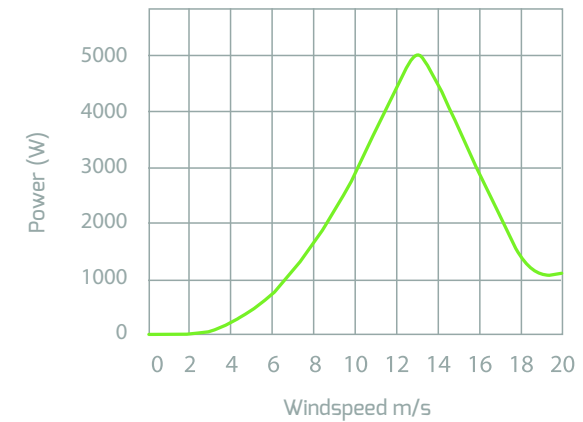
Wind speed

Operating range	2-30 m/s
For turn on	3 m/s
For nominal power	12 m/s
For automatic braking	14 m/s
Survival	60 m/s

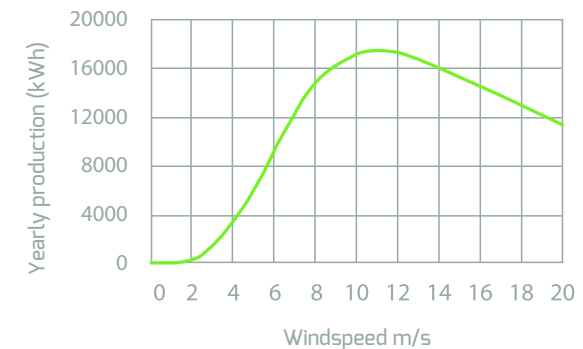
Physical characteristics

Wind turbine weight	107 kg
Regulator weight	30 kg
Packing Dimensions - weight	120 x 80 x 80 cm - 160 Kg 260 x 40 x 15 cm - 22 Kg
Total	0,91 m ³ - 182 Kg
Warranty	3 years

Performance



Energy



Dimensions

